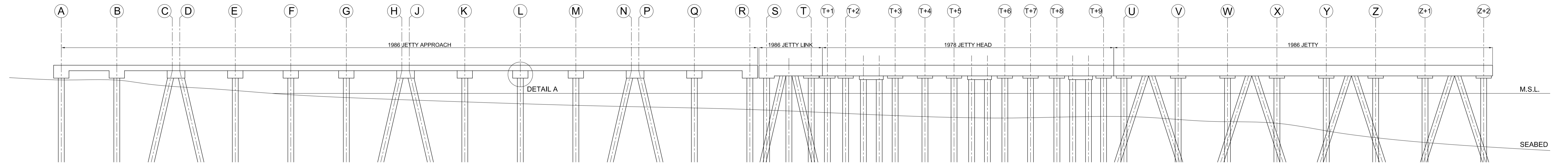
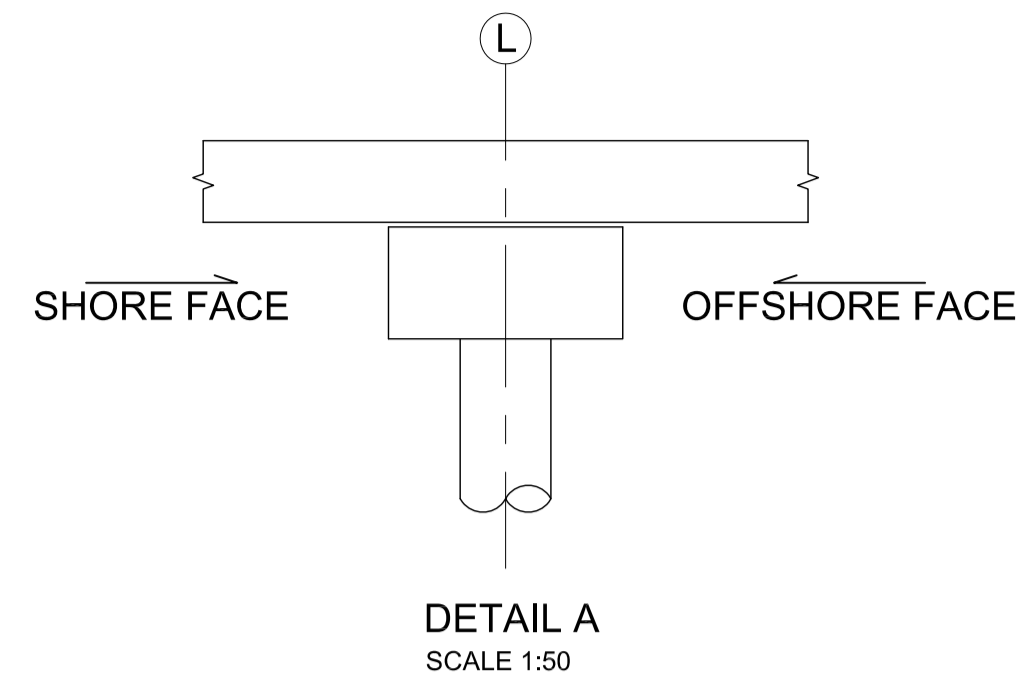


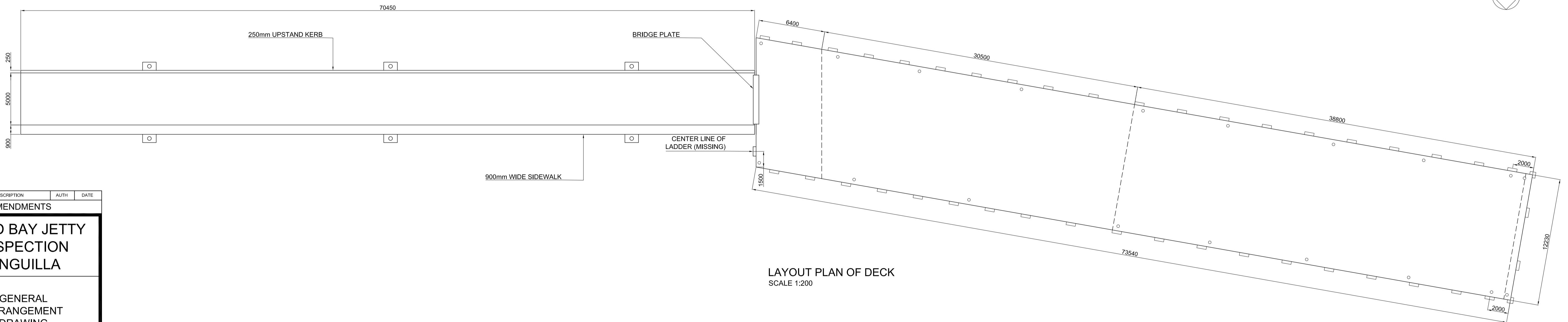
ASSOCIATED DRAWINGS	
No.	TITLE
65/04_05_08/02	PIPING & BEAM LAYOUT DRAWING
03	DAMAGE TO SLABS & BEAM SUFFRITS
04	DAMAGE TO SLABS & SURFACE OF JETTY
05	JETTY MOORING BOLLARDS
06	SECTIONS BENT A to BENT K, JETTY APPROACH
07	SECTIONS BENT L to BENT T, JETTY APPROACH & MAIN JETTY
08	SECTIONS BENT T+1 to BENT T+8 MAIN JETTY
09	SECTIONS BENT T+8 to BENT Z MAIN JETTY
10	SECTIONS BENT Z+1 to BENT Y & Z NORTH FACE MAIN JETTY

NOTES	
1.	ALL DIMENSIONS ARE IN MILLIMETRES.
2.	NO DIMENSIONS ARE TO BE SCALED FROM THIS DRAWING.
3.	THIS DRAWING IS TO BE READ IN CONJUNCTION WITH ALL ASSOCIATED DRAWINGS.

LEGEND	

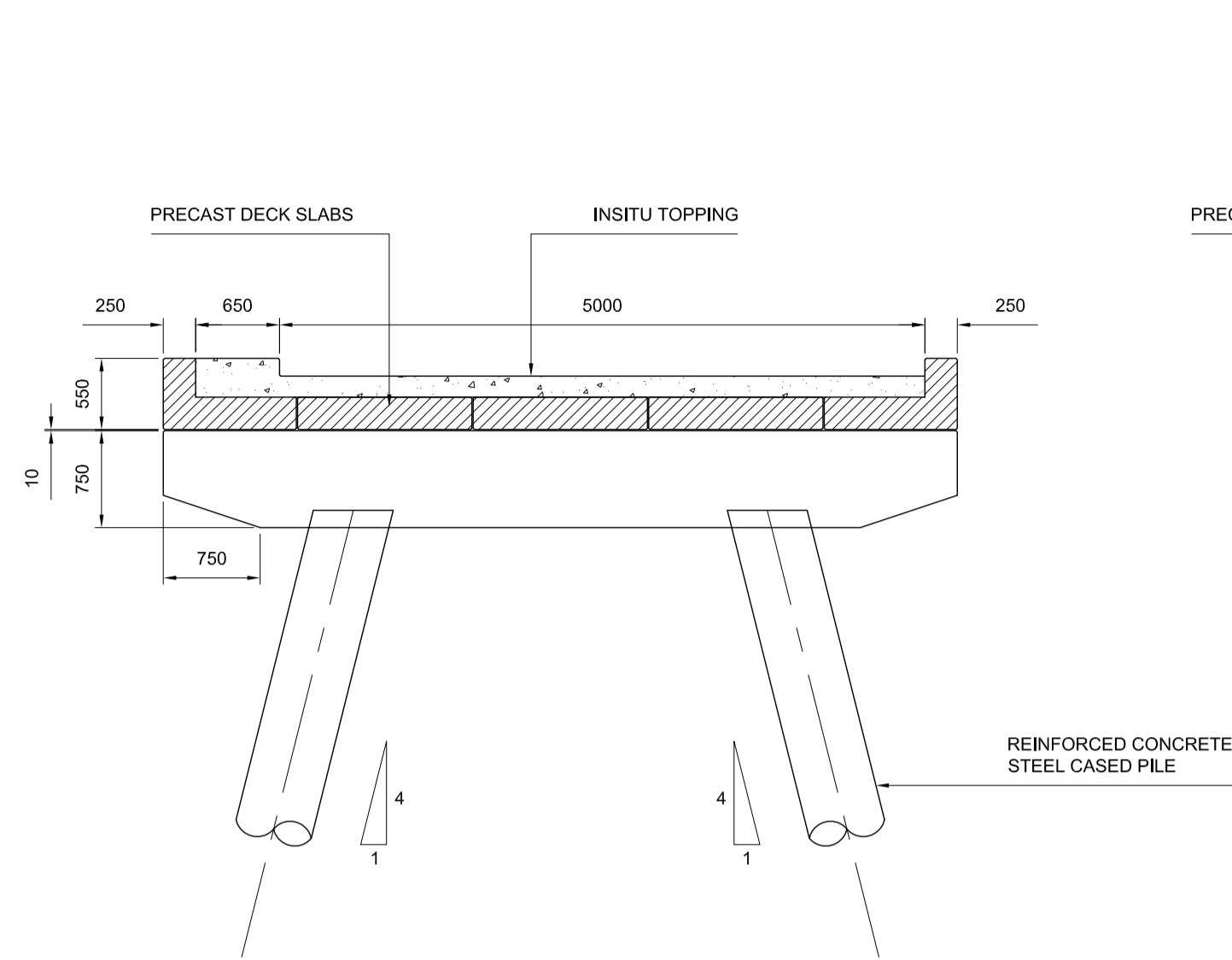


NORTH ELEVATION
SCALE 1:200

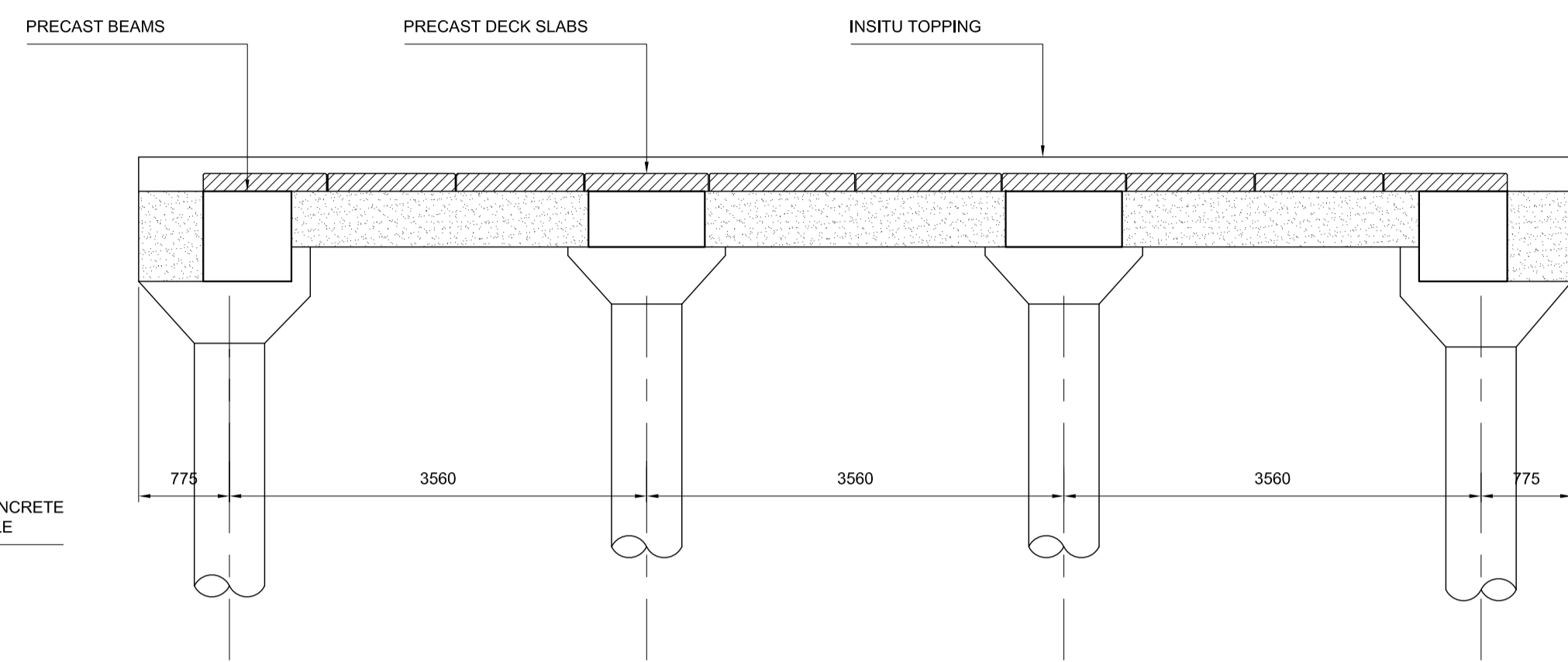


LAYOUT PLAN OF DECK
SCALE 1:200

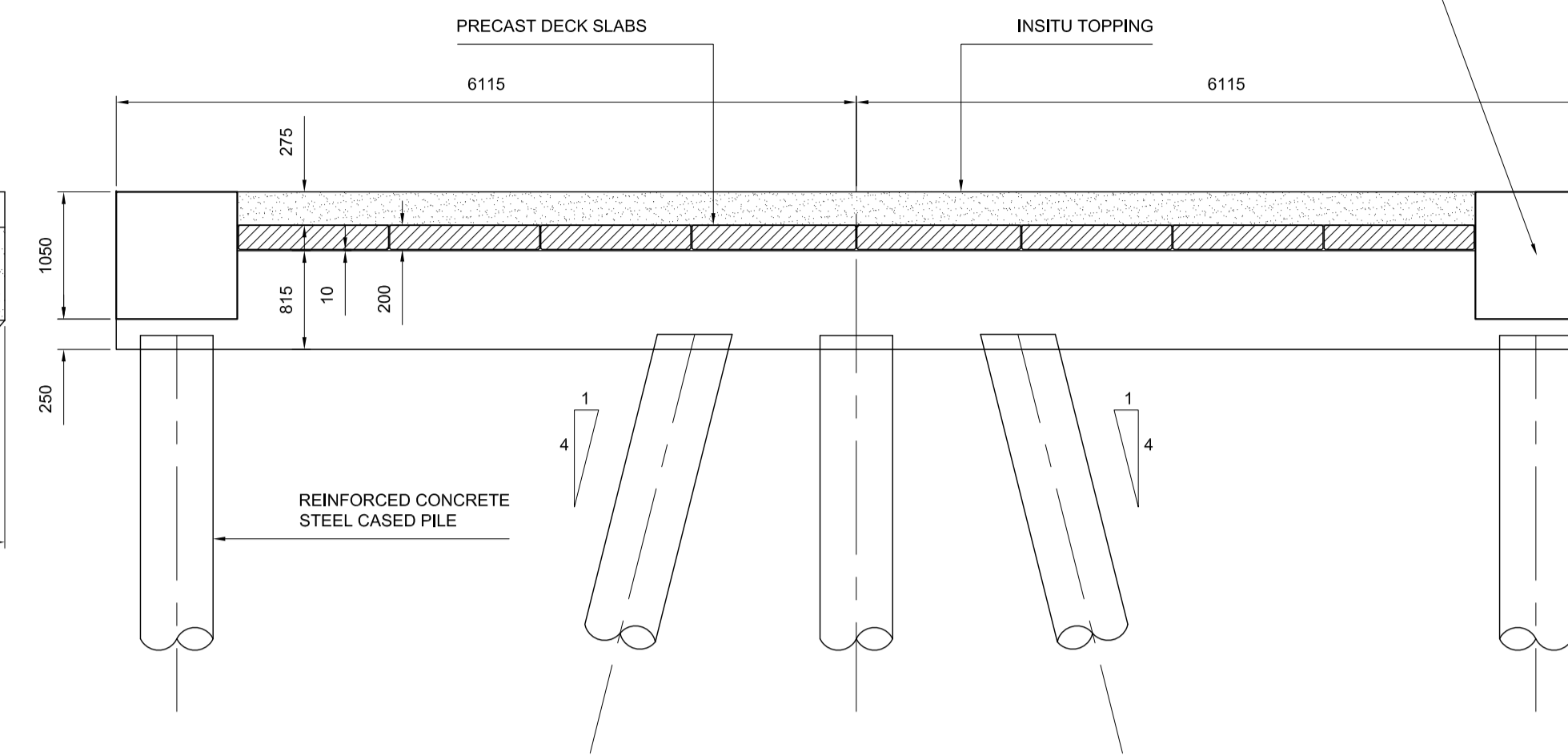
SER	DESCRIPTION	AUTH	DATE
AMENDMENTS			
ROAD BAY JETTY INSPECTION ANGUILLA			
GENERAL ARRANGEMENT DRAWING			
DRAWING NO/CAD FILE 65/04_05_08/01			
SCALE 1:200		DATE 23 JUL14	
65 Wks Gp RE		170 (INFRA SP) ENGR GP CHE TYNDS BKS CHE WELLS NOTTINGHAM NG9 5HA	
OC STRE MAJ AP NIXON MBE RE	APPROVED		
CHARTERED ENGINEER WO2 C GREEN RE	APPROVED		
IGE	DATE	SG.	
CLK WKS	DATE	SG.	
DRAWN BY SPR P CHARLTON	CHECKED	SG.	
SURVEYED	CHECKED	SG.	



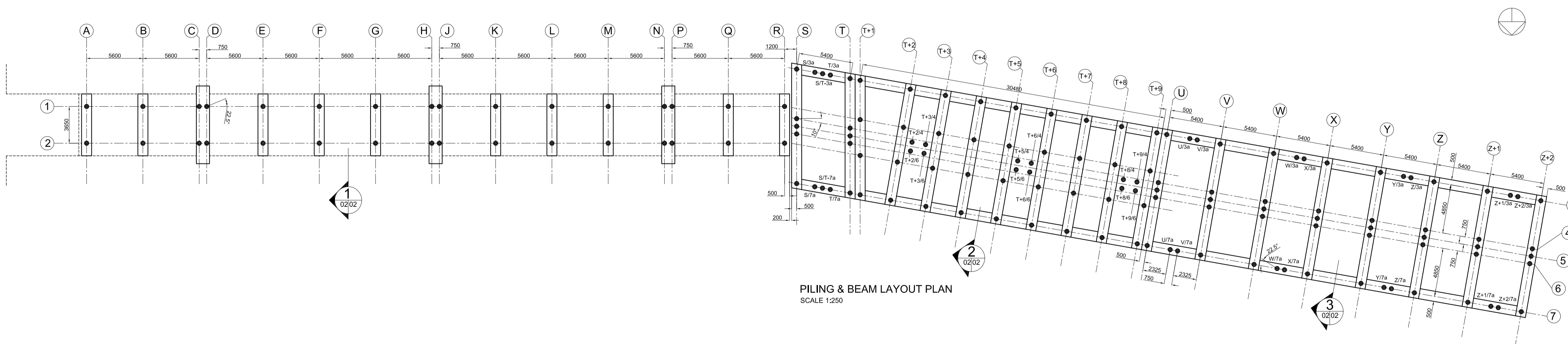
1 SECTION
02/02
SCALE 1:50
(1986 JETTY APPROACH)



2 SECTION
02/02
SCALE 1:50
(1978 JETTY)



3 SECTION
02/02
SCALE 1:50
(1986 JETTY)



PILING & BEAM LAYOUT PLAN
SCALE 1:250

ASSOCIATED DRAWINGS	
No.	TITLE
03	GENERAL ARRANGEMENT DRAWING
04	DAMAGE TO SLABS & BEAM SOFFITS
05	DAMAGE TO SLABS & SURFACE OF JETTY
06	JETTY MOORING BOLLARDS
07	SECTIONS BENT A to BENT K, JETTY APPROACH
08	SECTIONS BENT L to BENT T, JETTY APPROACH & MAIN JETTY
09	SECTIONS BENT T+1 to BENT T+8 MAIN JETTY
10	SECTIONS BENT T+9 to BENT Z MAIN JETTY
11	SECTIONS BENT Z+1 to BENT Y & Z NORTH FACE MAIN JETTY

- NOTES**
- ALL DIMENSIONS ARE IN MILLIMETRES.
 - NO DIMENSIONS ARE TO BE SCALED FROM THIS DRAWING.
 - THIS DRAWING IS TO BE READ IN CONJUNCTION WITH ALL ASSOCIATED DRAWINGS.

LEGEND

SER.	DESCRIPTION	AUTH.	DATE
AMENDMENTS			

ROAD BAY JETTY INSPECTION ANGUILLA

PILING & BEAM LAYOUT DRAWING

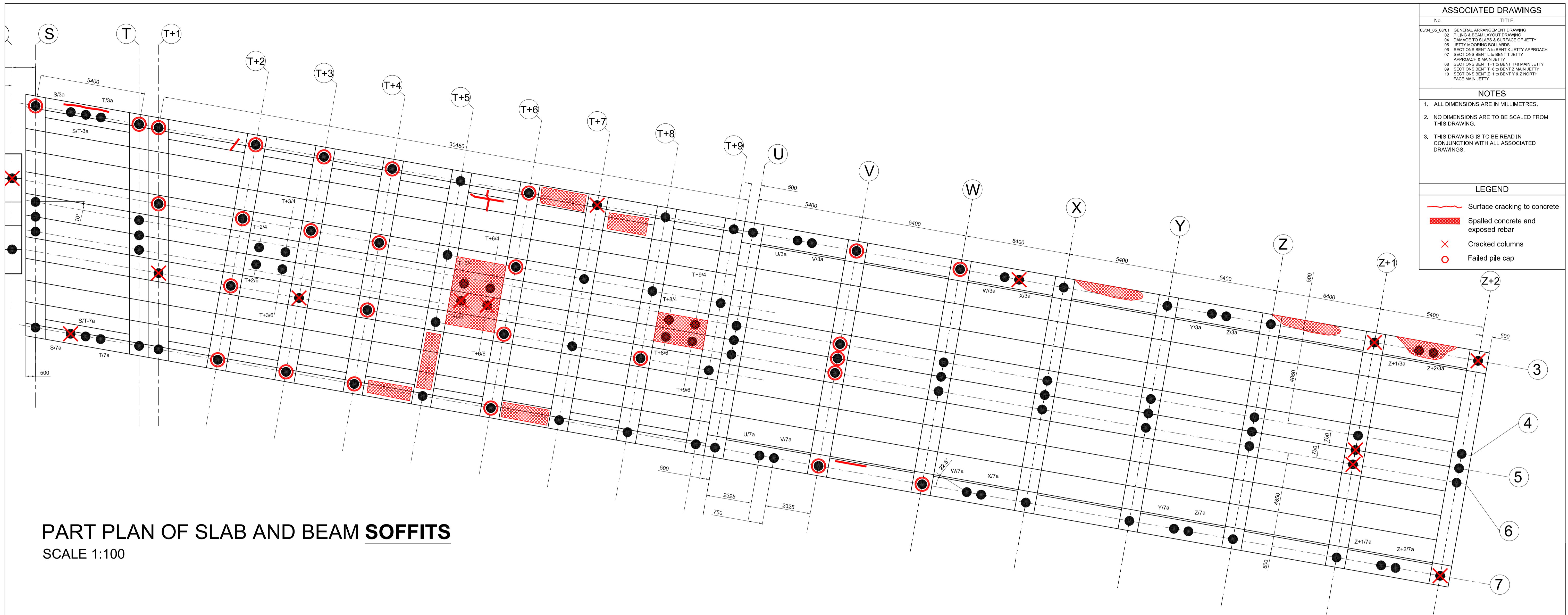
DRAWING No/CAD FILE: B5/04_05_08/02

SCALE: 1:250+1:50@A1	DATE: 23 JUL 14
----------------------	-----------------

65 Wks Gp RE

OC STRE	APPROVED
MAJ AP NIXON MBE RE	
CHARTERED ENGINEER	APPROVED
WOZ C GREEN RE	

GE	DATE	SIG.
CLK WKS	DATE	SIG.
DRAWN BY	CHECKED	SIG.
SURVEYED	CHECKED	SIG.

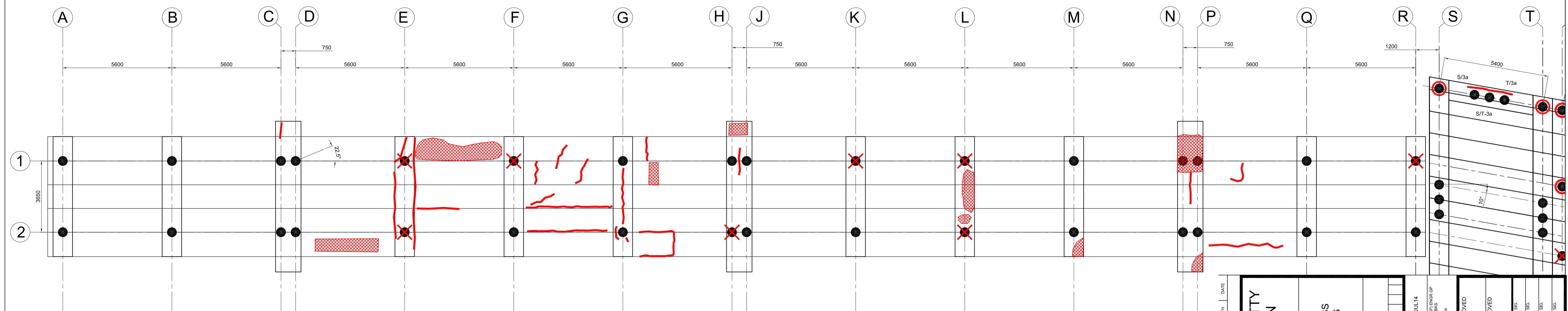


PART PLAN OF SLAB AND BEAM SOFFITS
SCALE 1:100

ASSOCIATED DRAWINGS	
No.	TITLE
01	GENERAL ARRANGEMENT DRAWING
02	PILE AND BEAM LAYOUT DRAWING
04	DAMAGE TO SLABS & SURFACE OF JETTY
05	JETTY MOORING BOLLARDS
06	SECTIONS BENT 1 to BENT 2, JETTY APPROACH
07	SECTIONS BENT 1 to BENT 2, JETTY APPROACH & MAIN JETTY
08	SECTIONS BENT 1 to BENT 2, MAIN JETTY
09	SECTIONS BENT 1 to BENT 2, MAIN JETTY
10	SECTIONS BENT 2 to BENT 3, MAIN JETTY
11	FACE MAIN JETTY

NOTES	
1.	ALL DIMENSIONS ARE IN MILLIMETRES.
2.	NO DIMENSIONS ARE TO BE SCALED FROM THIS DRAWING.
3.	THIS DRAWING IS TO BE READ IN CONJUNCTION WITH ALL ASSOCIATED DRAWINGS.

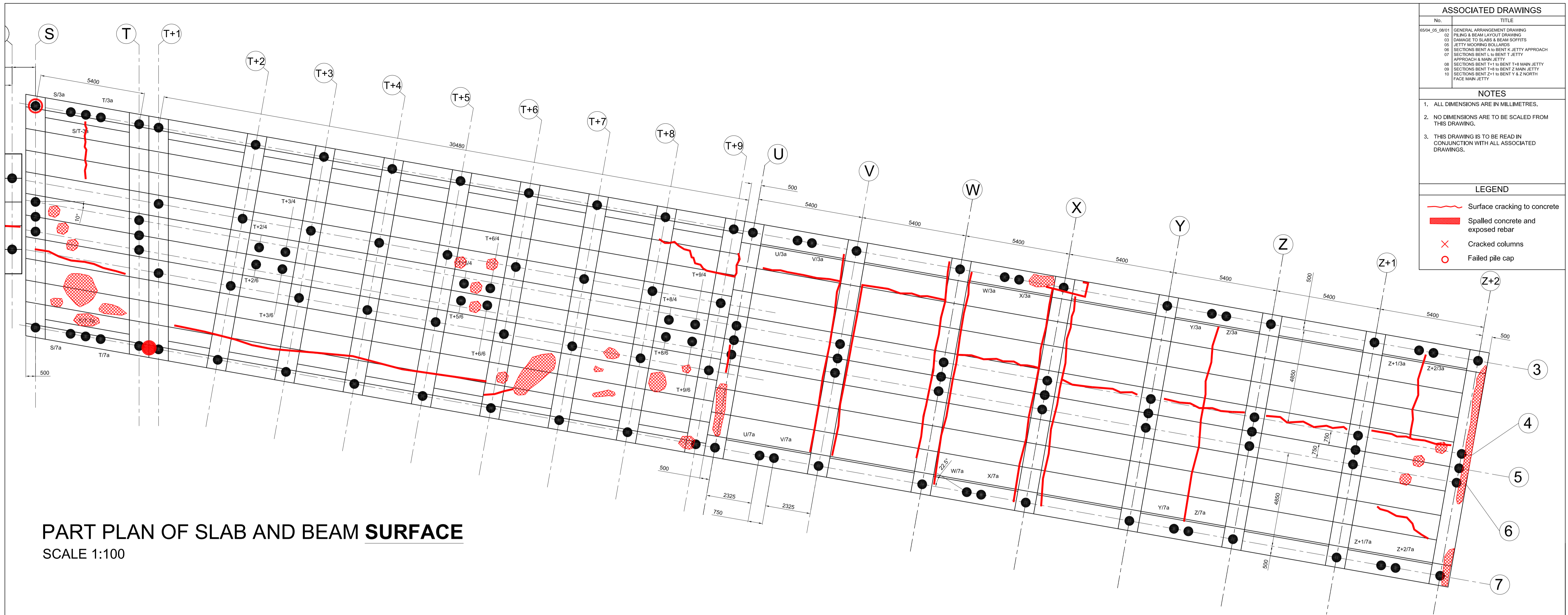
LEGEND	
	Surface cracking to concrete
	Spalled concrete and exposed rebar
	Cracked columns
	Failed pile cap



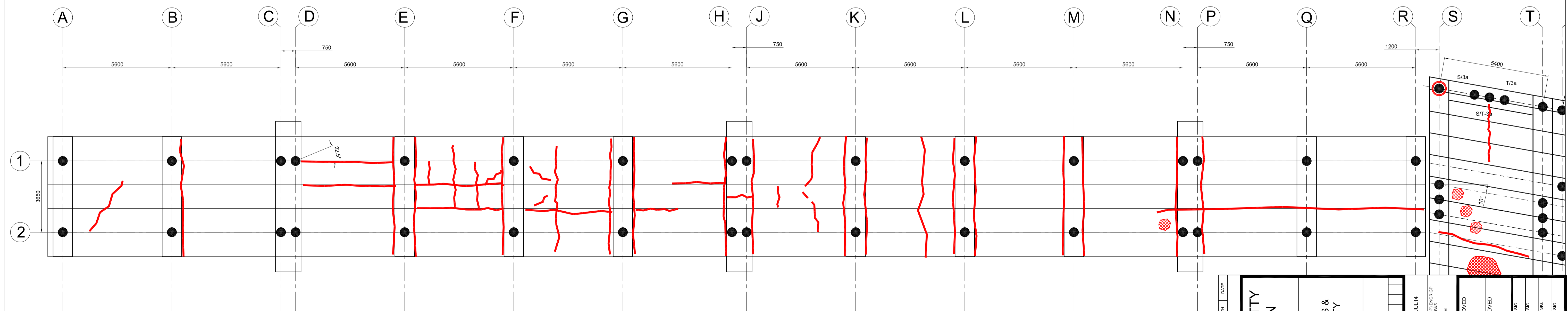
PART PLAN OF SLAB AND BEAM SOFFITS
SCALE 1:100

SER.	DESCRIPTION	AUTH.	DATE
	AMENDMENTS		

ROAD BAY JETTY INSPECTION ANGULLA	
DAMAGE TO SLABS & BEAM SOFFITS	
DRAWING NO: 6504_05_0803	
SCALE: 1:100	DATE: 23 JUL 14
65 Wks Gp RE	
OC SITE	APPROVED
MAU J P NIXON MBE RE	APPROVED
CHARTERED ENGINEER	
W02 C GREEN RE	
GE	
CLK WKS	
DATE	
DATE	
CHECKED	
DRAWN BY	
SPR F CHARLTON	
SURVEYED	



PART PLAN OF SLAB AND BEAM SURFACE
SCALE 1:100



PART PLAN OF SLAB AND BEAM SURFACE
SCALE 1:100

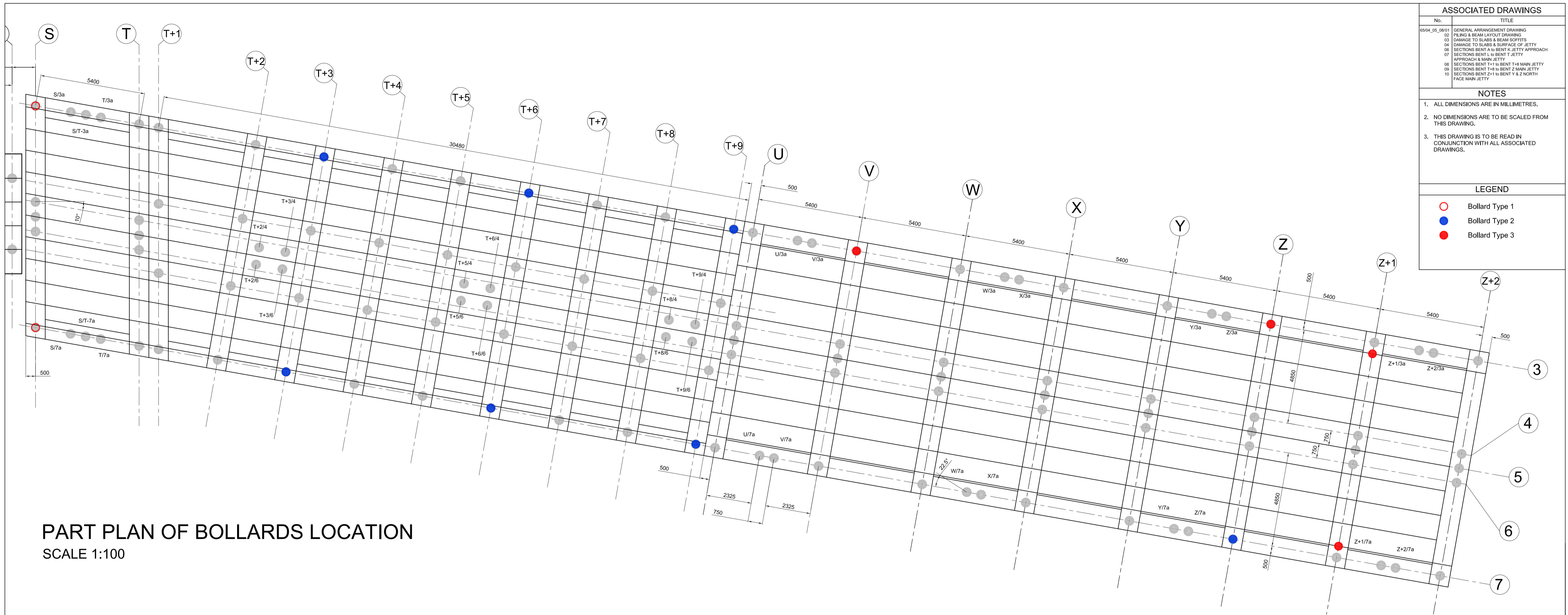
ASSOCIATED DRAWINGS	
No.	TITLE
01	GENERAL ARRANGEMENT DRAWING
02	PILING & BEAM LAYOUT DRAWING
03	DAMAGE TO SLABS & BEAM SOFFITS
04	JETTY MOORING BOLLARDS
05	SECTIONS BENT 1a TO BENT 2c JETTY APPROACH
06	SECTIONS BENT 1a TO BENT 1c JETTY APPROACH & MAIN JETTY
07	SECTIONS BENT 1a TO BENT 1c JETTY APPROACH & MAIN JETTY
08	SECTIONS BENT 1+1 TO BENT 1+8 MAIN JETTY
09	SECTIONS BENT 1+8 TO BENT 2 MAIN JETTY
10	SECTIONS BENT 2+1 TO BENT Y & Z NORTH FACE MAIN JETTY

NOTES	
1.	ALL DIMENSIONS ARE IN MILLIMETRES.
2.	NO DIMENSIONS ARE TO BE SCALED FROM THIS DRAWING.
3.	THIS DRAWING IS TO BE READ IN CONJUNCTION WITH ALL ASSOCIATED DRAWINGS.

LEGEND	
	Surface cracking to concrete
	Spalled concrete and exposed rebar
	Cracked columns
	Failed pile cap

SER.	DESCRIPTION	AUTH.	DATE
	AMENDMENTS		

ROAD BAY JETTY INSPECTION ANGUILLA	
DAMAGE TO SLABS & SURFACE OF JETTY	
DRAWING NO: 6504_05_0804	
SCALE: 1:100	DATE: 23 JUL 14
65 Wks Gp RE	
APPROVED	APPROVED
MAU J P NIXON MBE RE	W02 C GREEN RE
CHARTERED ENGINEER	CHARTERED ENGINEER
DATE	DATE
CHK WKS	CHK WKS
DRAWN BY: SPR F CHARLTON	CHECKED: SPR F CHARLTON
SURVEYED	SURVEYED

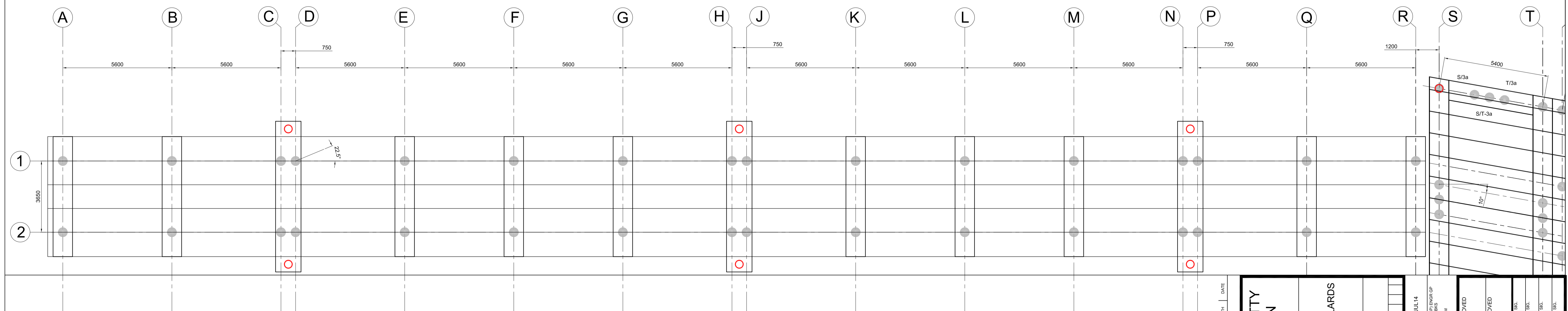


PART PLAN OF BOLLARDS LOCATION
SCALE 1:100

ASSOCIATED DRAWINGS	
No.	TITLE
01	GENERAL ARRANGEMENT DRAWING
02	PLING & BEAM LAYOUT DRAWING
03	DAMAGE TO SLABS & BEAM SOFFITS
04	DAMAGE TO SLABS & SURFACE OF JETTY
05	SECTIONS BENT 1 to BENT 2, JETTY APPROACH
06	SECTIONS BENT 1 to BENT 2, JETTY
07	APPROACH & MAIN JETTY
08	SECTIONS BENT 1 to BENT 2 MAIN JETTY
09	SECTIONS BENT 1 to BENT 2 MAIN JETTY
10	SECTIONS BENT 2 to BENT 3 & Z NORTH FACE MAIN JETTY

NOTES	
1.	ALL DIMENSIONS ARE IN MILLIMETRES.
2.	NO DIMENSIONS ARE TO BE SCALED FROM THIS DRAWING.
3.	THIS DRAWING IS TO BE READ IN CONJUNCTION WITH ALL ASSOCIATED DRAWINGS.

LEGEND	
	Bollard Type 1
	Bollard Type 2
	Bollard Type 3



PART PLAN OF BOLLARDS LOCATION
SCALE 1:100

A1

SER.	DESCRIPTION	AUTH.	DATE
	AMENDMENTS		

ROAD BAY JETTY INSPECTION ANGUILLA	
JETTY MOORING BOLLARDS	
DRAWING NO/DATE FILE	6504_05_08/05
SCALE	1:100
DATE	23 JUL 14
DESIGNED BY	65 Wks Gp RE
CHECKED BY	
DATE	
APPROVED	
MAJ AP NIXON MBE RE	
APPROVED	
CHARTERED ENGINEER	
W02 C GREEN RE	
DATE	
DATE	
DATE	
DRAWN BY	SPR F CHARLTON
CHECKED	
SURVEYED	